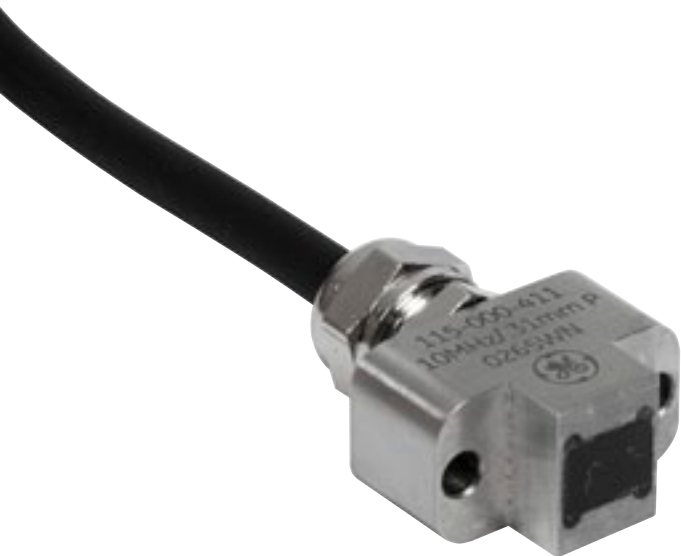


Scribeline Probes

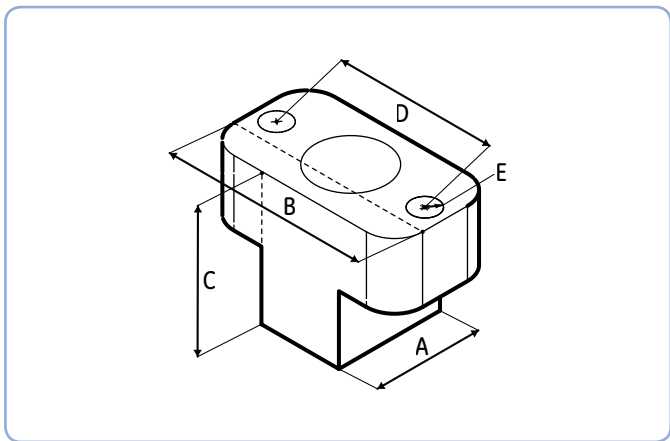


Applications

- General weld inspection, smaller objects, thinner sections
- Tubes, pipes, pressure vessels, containers
- Pumps, valve housings
- Turbine blades, shafts
- Aircraft lap joint inspections

Features

- Small contact area
- Available in 3 different connectors

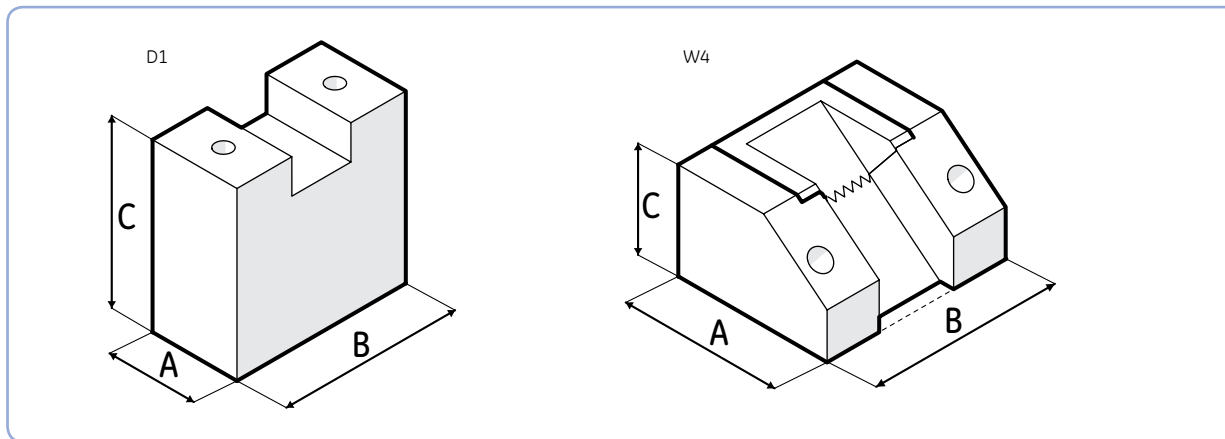


Part Number Phasor	Part Number Hypertronics™	Part number Omniscan™	Aperture (mm)	Freq. (MHz)	Element Count	Pitch (mm)	Elev. (mm)	Cable (m)	A (mm)	B (mm)	C (mm)	D (mm)	E
115-100-017	115-120-017	115-130-017	5.0 x 5.0	10	16	0.3	5.0	3.0	11.0	21.0	15.0	17.0	M3X0.5
115-100-016	115-120-016	115-130-016	5.0 x 5.0	5	16	0.3	5.0	3.0	11.0	21.0	15.0	17.0	M3X0.5

Wedges/Delay line for Scribeline Probes

Features

- Delay line and wedge attachment
- Small contact area
- Custom wedge angles and curvatures can be special ordered
- Manual or automated inspections



Order Code	Wedge	A (mm)	B (mm)	C (mm)
360-141-129	W4	17.8	21.3	11.6
360-141-148	W4	20.8	21.3	10.2

Order Code	Delay line	A (mm)	B (mm)	C (mm)
389-081-360	D1	12.7	25.4	19.9
389-071-220	D1	12.7	25.4	10.0