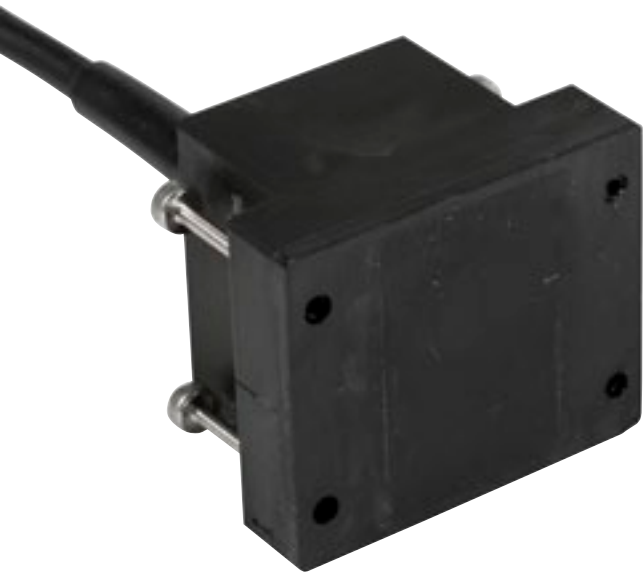


General Use Probes

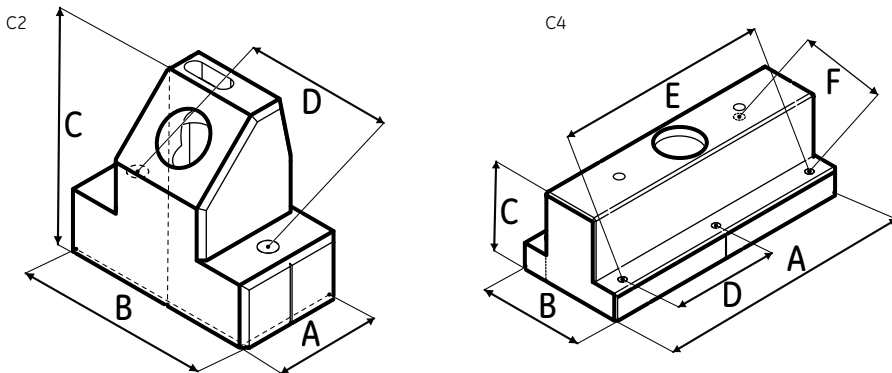


Applications

- General weld inspection
- Tubes, pipes, tanks, pressure vessels
- Axles, forgings, castings
- Bridges and other structures
- Railroad wheels and rail
- Pumps, valve housings
- Turbine blades, shafts
- Wheel rims

Features

- Wide range of applications
- 3 different connector types available
- Used with wedges, delay lines, or wear caps
- Used for sector scanning or linear scanning



Part number Phasor	Part number Hypertronics™	Part number Omniscan™	Aperture (mm)	Frequency (MHz)	Element Count	Pitch (mm)	Elevation (mm)	Cable (m)	Case Style	A (mm)	B (mm)	C (mm)	D (mm)	E (mm)	F (mm)
115-100-001	115-120-001	115-130-001	8.0 x 9.0	2	8	1.0	9.0	3.0	C2	15.0	28.0	27.0	21.0	-	-
115-100-002	115-120-002	115-130-002	8.0 x 9.0	4	16	0.5	9.0	3.0	C2	15.0	28.0	27.0	21.0	-	-
115-100-003	115-120-003	115-130-003	16.0 x 10.0	5	16	1.0	10.0	3.0	C2	23.0	34.0	37.0	25.0	-	-
115-100-004	115-120-004	115-130-004	16.0 x 10.0	5	32	0.5	10.0	3.0	C2	23.0	34.0	37.0	25.0	-	-
115-100-005	115-120-005	115-130-005	16.0 x 13.0	2.25	16	1.0	13.0	3.0	C2	22.0	37.0	36.0	29.0	-	-
115-100-006	115-120-006	115-130-006	24.0 x 19.0	2.25	16	1.5	19.0	3.0	C2	30.0	45.0	30.0	37.0	-	-
115-100-007	115-120-007	115-130-007	64.0 x 10.0	5	64	1.0	10.0	3.0	C4	84.0	36.0	32.0	36.0	71.0	28.0

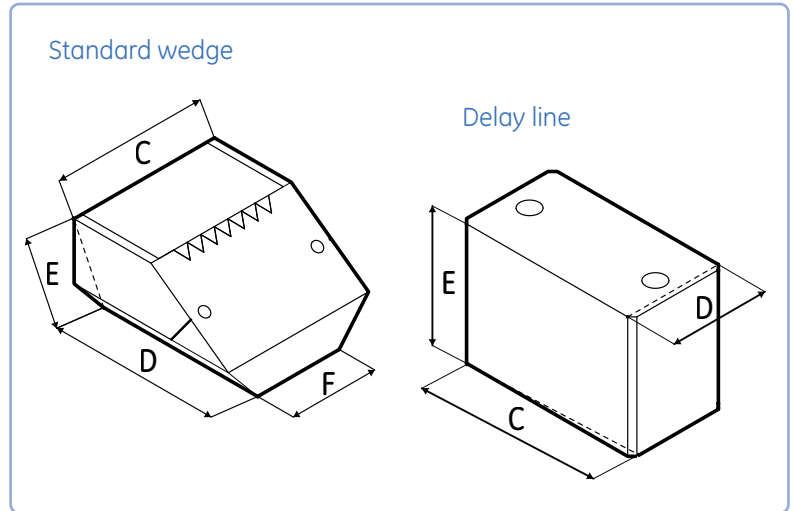
Wedges/Delay Lines/Wear Caps for General Use Probes

Features

- Sectorial scanning
- Small footprint design
- Curved wedges available
- Optional carbide and couplant ports

* Z-Offset is the dimension from the center of the array mounted on the wedge to the bottom of the wedge (perpendicular to the bottom). This value is used to calculate delay laws in the Phasor.

* WF (Wedge Front) is the dimension from the center of the array mounted on the wedge to the front of the wedge. This value is entered into the Phasor and directly affect the frame of reference from which all projection results are measured.



Accessories Part numbers

Part number Phasor	Part number Hypertronics™	Part number Omniscan™	Shear Wedge 35° to 75°	Delay Line 20 mm (0.79")	Delay Line 40 mm (1.58")	Wear Cap
115-100-001	115-120-001	115-130-001	118-350-024	118-350-036	118-350-048	118-240-003
115-100-002	115-120-002	115-130-002	118-350-024	118-350-036	118-350-048	118-240-003
115-100-003	115-120-003	115-130-003	118-350-025	118-350-037	118-350-049	118-240-004
115-100-004	115-120-004	115-130-004	118-350-025	118-350-037	118-350-049	118-240-004
115-100-005	115-120-005	115-130-005	118-350-027	118-350-039	118-350-063	118-240-001
115-100-006	115-120-006	115-130-006	118-350-028	118-350-040	118-350-064	118-240-002
115-100-007	115-120-007	115-130-007	360-141-182 (sweep angle) 118-350-026 (fixed angle, lateral sweep)	118-350-038	118-350-050	118-240-005

Standard Wedges	C (mm)	D (mm)	E (mm)	F (mm)	Incident	Z-Offset * (mm)	WF * (mm)
118-350-024	28.2	24.7	15.0	12.3	36	10.6	18.7
118-350-025	33.5	32.6	18.5	21.3	36	12.4	24.1
118-350-026	84.0	54.8	31.1	84.1	36	20.6	40.5
360-141-182	35.6	124.5	59.9	35.6	36	35.3	65.8
118-350-027	37.3	37.8	22.9	22.0	36	15.9	28.9
118-350-028	45.4	50.0	29.6	26.4	36	20.5	37.4

Standard Delay Lines	C (mm)	D (mm)	E (mm)
118-350-036	28.2	15.0	20.0
118-350-037	33.5	23.0	20.0
118-350-038	84.0	35.6	20.0
118-350-039	37.3	21.0	20.0
118-350-063	37.3	21.0	40.0
118-350-040	45.4	30.0	20.0
118-350-064	45.4	30.0	40.0

Standard Delay Lines	C (mm)	D (mm)	E (mm)
118-350-048	28.2	15.0	40.0
118-350-049	33.5	23.0	40.0
118-350-050	84.0	35.6	40.0